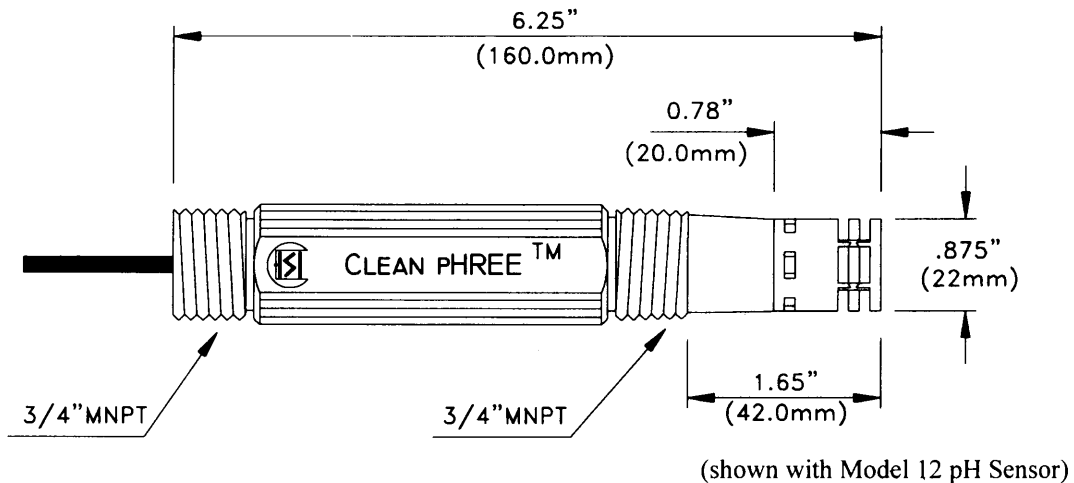




# Innovative Sensors, Inc.

ISI SOLUTIONS - Specialty Sensors for Universal Applications

## Clean-pHREE™



Innovative Sensors, Inc. has developed a unique cleaning system\* to help reduce service requirements on ISI manufactured sensors. This device, consisting of a specially designed cage and a number of self-cleaning balls, provides a self-cleaning capability in applications where foulants may clog or coat the measuring surface. Installations may include flow through, immersion or submersion so long as there is a linear flow.

The special self-cleaning balls float. Thus, even mild agitation will provide a cleaning action. There is no "optimal" flow rate, but the system works well at 0.6 metres per second (2ft/sec). No additional cleaning benefit will be gained by increasing the flow rate above this number, and it is not recommended that the process stream characteristics be changed. To install the Clean-pHREE™ option please refer to the instructions below:

1. Follow the preparation for use and calibration procedures as detailed in the "Sensors Instruction Manual".
2. Place 10 to 15 self-cleaning balls into the cleaning cage (p/N Z7450).
3. Align the male threads on the cage with the female threads found on the measuring end of the sensor.  
Note: The sensor must be ordered with the self-cleaning option (-SCO).
4. Carefully thread the cage into the sensor until it seals flush. Hand tighten only.
5. Follow mounting and installation procedures as detailed in the "Sensors Instruction Manual".



Printed on  
Recycled Paper



Monitoring and Treatment

PML

Systems for Industry.

Process Technology

pmlprocess.com

Tel: (905) 206-9514 Fax: (905) 282-9903

\*Patent Pending

Form Ref: -CleanPFree DS-A97



INNOVATIVE SENSORS INC.  
REGISTERED TO ISO 9002  
CERTIFICATE NO. A2865

